

# Go-21

**PRELIMINARY DATA**

## High-Resolution USB 2.0 Digital Color Camera

The **QImaging® Go-21** color CMOS camera is designed for high-resolution image archiving in brightfield microscopy, pathology, histology, material science, and clinical applications. The Go-21 offers variable resolutions using up to 21 million pixels, thus providing the flexibility to make the most of the microscope optics. State-of-the-art design combines engineering excellence with innovative subpixel-shifting technology to enable more accurate color imaging. The camera's USB 2.0 interface provides convenience and simple plug-and-play installation via a single cable.



### camera models

*Includes: USB 2.0 cable, power supply, QCapture Suite software, QCapture Pro software, and access to SDK*

#### ■ Color Go-21

Model: GO-21-CLR-10

### camera options

- Extended Warranty

### features

High-Resolution Imaging

High-Speed Readout

Low-Noise Electronics

Flexible Exposure Control

ROI (Region of Interest)

USB 2.0 Connection

Extensive Application Software Support

### benefits

- User selectable to provide full ability to match optics to camera resolution

- Previewing & focusing in real time
- 60fps with 640 x 480 resolution
- 15fps with 1280 x 1024 resolution
- Ideal for high-resolution imaging

- Enhanced color accuracy and detail

- Optimal integration over a wide range of light levels

- Higher frame rates for previewing & focusing

- Simple connectivity
- Ease of use and installation
- Portability with laptop computer
- Single-cable operation (no external control unit or framegrabber)

- Choose from a large selection of life science & industrial software for microscopy, machine vision, & video-streaming functions

# Go-21 Specifications

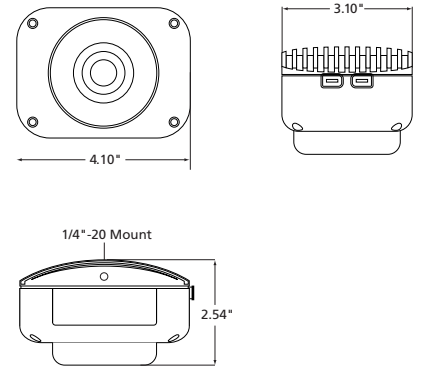
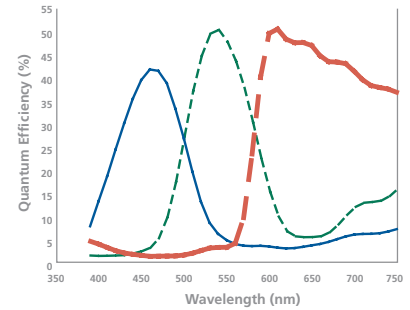
## PRELIMINARY DATA

CMOS sensor	
Light-Sensitive Pixels	1280 x 1024
ROI (Region of Interest)	User selectable
Exposure/Integration Control	0ms to 8.84sec
Sensor Type	CMOS, color sensor
Pixel Size	5.2µm x 5.2µm
Linear Full Well	> 20,000e-
Read Noise	20 e- rms
Shutter	Rolling shutter with single-frame capture
Digital Output	8 or 10 bits (24- or 30-bit color)
Readout Frequency	24MHz
Frame Rate	15fps @ 1280 x 1024 resolution; 60fps @ 640 x 480 resolution
camera	
Computer Platforms/ Operating Systems*	Windows®
Digital Interface	USB 2.0
Still-Image Resolutions	User selectable: 1.3 million pixels, 5 million pixels, 10 million pixels, 21 million pixels
Trigger Types	Internal, Software
Normal Gain Control	1.3 to 3.88
Optical Interface	1/2", C-mount optical format
Threadmount	1/4" – 20 mount
Power Requirements	900mW; 6VDC
Weight	300g (0.67lbs)
Warranty	2 years
Operating Environment	0 to 50°C; 95% relative humidity non-condensing
Storage Temperature	-20 to 60°C

### applications

- Pathology
- Image archiving for clinical, life science, and material science
- Brightfield
- Still-image animation

### spectral response



Resolution	Approximate Image Size @ 24 bits
1.3MP	3.8MB
5.0MP	15MB
10.0MP	34MB
21.0MP	60MB

\*Refer to QImaging website for detailed listing of supported operating systems.  
 Note: Specifications are nominal and subject to change.

Go is a trademark and QImaging is a registered trademark of QImaging Corporation.  
 Windows is a registered trademark of Microsoft Corporation in the United States and other countries.  
 Other brand and product names are the trademarks or registered trademarks of their respective owners and manufacturers.

